



**karmetal**  
*SAW*lutions

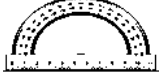


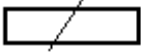


**KDG 400x610 DM**  
**SEMI AUTO DOUBLE MITER**  
**BAND SAW MACHINE**

KDG 400x610 DM Semi Auto Double Miter Band Saw Machine

\*Photo may feature machine with optional accessories

## CUTTING CAPACITY

	0°	45°	60°	- 45°
	400 mm	350 mm	200 mm	350 mm
	400 mm	350 mm	200 mm	350 mm
	400 x 610 mm	350 x 400 mm	200 x 400 mm	350 x 400 mm

## TECHNICAL SPECIFICATIONS

<b>Main Motor</b>	: 4 kW
<b>Gearbox</b>	: Bevel Helical PKD 2390 High Efficiency
<b>Hydraulic Motor</b>	: 0,37kW
<b>Hydraulic Tank Capacity</b>	: 8 Liter
<b>Coolant Motor</b>	: 0,12kW
<b>Coolant Tank Capacity</b>	: 30 liters
<b>Blade Speed</b>	: 25-90 m/min
<b>Blade Dimensions</b>	: 4.780 x 34 x 1,1 mm
<b>Machine Weight</b>	: 1.350 kg
<b>Machine Dimensions</b>	: 1400x 2350 x 1500 mm
<b>Table Height</b>	: 745 mm

## STANDARD ACCESSORIES

### ***Manual Control Panel***

Only control panel with buttons.



### ***Inverter***

Provides to adjust blade speed up to workpiece diameter, thickness and hardness.



### ***Hydraulic Vise***

Full stroke hydraulic vise controlled by operator control panel.



### ***Hydramechanical Blade Tensioning***

Blade tensioning is adjusted as hydromechanically and seen by manometer.



### ***Hydraulic Brake***

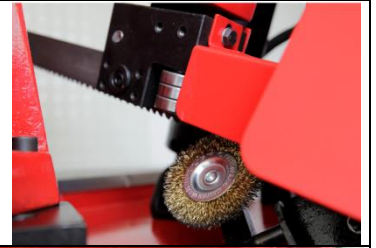


### ***Sensible Cutting Feed Pressure Adjustment***



### ***Swarf Brush***

Removes swarfs to keep clean the wheels and blade.



*Wheel Bedding with Bearing*



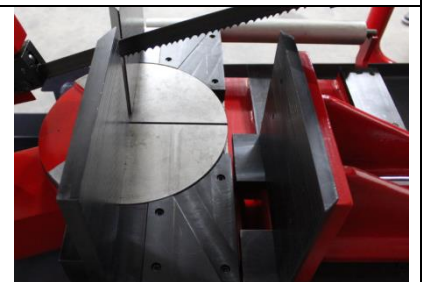
*Blade Bedding with Carbide and Bearings*



*Manometer*



*Rotating Table*



*Rotating Vise Flange*



*Bevel Helical Gearbox*



*Moveable Guide Arms*



*Single Roller Table*



*60 cm Long Material Stopper System*



*S.A.P (Italy) Brand Coolant Pump*



*Easy Readable Angle Ruler*



*Adjustable Bow Down Speed*



*Adjustable vise Tension*



*Transport Hooks*



*Levelling Foot Leg*



*Cover Switch*



*Tension Switch*



*Electric Cabinet Switch*



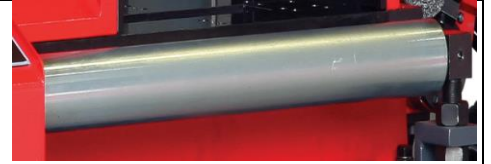
*Moveable Vise Flange*



*1,4m Roller Table*



***Roller to Support For Material Feeding***



***Limited Movable Control Panel Box***



***Automatic Stop When;***

- The covers are open
- Blade is broken
- Blade tension is low

## **OPTIONAL ACCESSORIES**

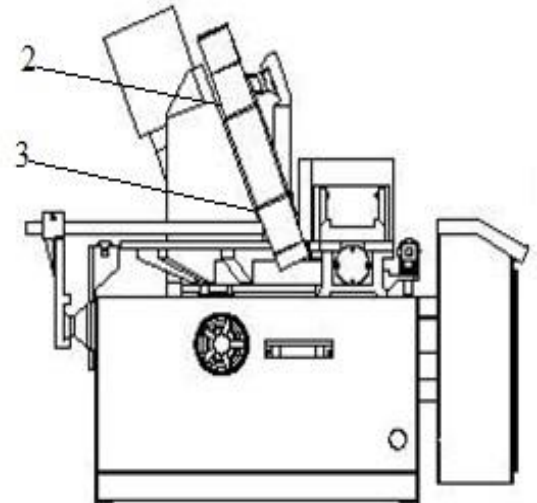
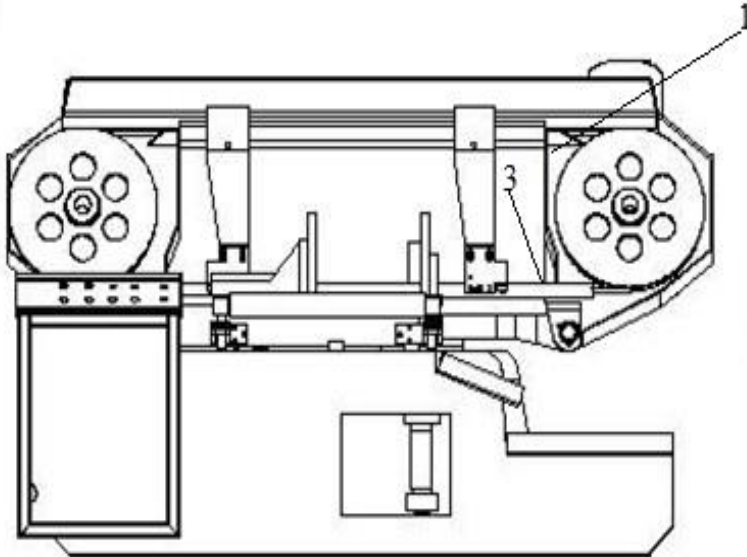
***Laser Line Indicator***



***Micro Molecular Coolant System***



## SAFETY EQUIPMENTS



<b>NO</b>	
<b>1</b>	<b>Cover Switch</b>
<b>2</b>	<b>Hydraulic Blade Tension Switch</b>
<b>3</b>	<b>Upper Limit Switch</b>
	<b>Lower Limit Switch</b>



## TERMS

**Delivery (After Receipt of written PO) :**

**Type of Delivery** : **Exwork**

## WARRANTY CONDITIONS

The machine is under the warranty of KARMETAL LTD. ŞTİ. for a period of 2 years from the date of purchase. This warranty is subject to all of the terms and conditions listed below:

1. This warranty is valid only if the **Warranty Registration Form** is filled in and returned to the manufacturer or its authorized dealer within **two months after the** date of purchase.
2. The obligation of the manufacturer under this warranty shall be limited to repairing or replacing components which proves defective and which our examination shall disclose to our satisfaction to be defective.
3. Defects due to improper operation, misuse, neglect, alteration, irregular voltage conditions, inadequate wiring, improper installation (**all electrical and electronic components, all electrical motors etc.**) and due to accidents or any damage caused by transportation, flood, fire, natural disasters, theft are not included in this warranty and are strictly the responsibility of the purchaser.
4. Any part returned to KARMETAL or its authorized dealer under the terms of this warranty shall be on the basis of transportation charges prepaid by the customer and must be accompanied by a record of the machine model code and serial number.
5. This warranty does not apply to the following components; band saw blade, blade pressure pads or brackets and blade guide bearings **because of being consumables**.
6. Manufacturer and authorized dealer cannot be blamed within maximum repair period for the material or moral damage. Apart from that act the period as Warranty Conditions and there will not be done any retroactive requirement.



**KARMETAL SANAYI ve TICARET LIMITED SİRKETİ**

Hanlı Merkez Mah. Hatip Sok. No:32

Arifiye/Sakarya/TURKEY

Phone: +90 264 276 59 16

Fax: +90 264 276 59 19

[www.karmetal.com.trsales@karmetal.com.tr](http://www.karmetal.com.trsales@karmetal.com.tr)

**Machine videos are available on:**

